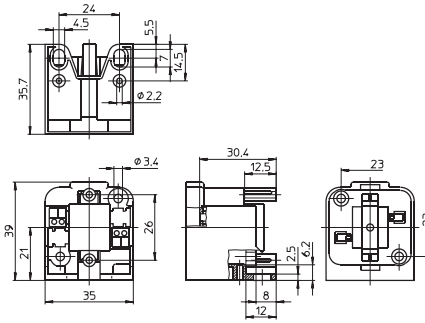
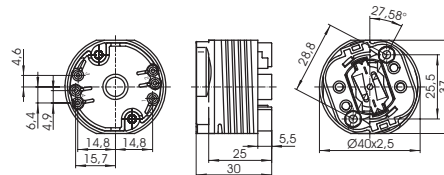


G24, GX24 horizontal or vertical flush mount lampholders
 Casing: PBT GF, white, T140
 Nominal rating: 75 W/600 V
 Base fixing holes for self tapping screws acc. to ISO 1481/7049-ST2.9-C/F
 Base oblong holes for screws M4
 Rear fixing holes for self tapping screws acc. to ISO 1481/7049-ST2.9-C/F and ST4.2-C/F
 Front slip holes for screws M3



Type	Ref. No.	Base	Lamp	Output (W)	Weight (g)	Unit (pcs.)
35817	108552	G24d-1/GX24d-1	TC-D/TC-T	8, 10, 13 / 13	17.5	500
35847	108553	G24d-2/GX24d-2	TC-D/TC-T	18 / 18	17.5	500
35867	108554	G24d-3/GX24d-3	TC-D/TC-T	26 / 26	17.5	500
35917	108556	G24q-1/GX24q-1	TC-DEL/TC-TEL	10, 13 / 13	17.5	500
35947	108557	G24q-2/GX24q-2	TC-DEL/TC-TEL	18 / 18	17.5	500
35967	108558	G24q-3/GX24q-3	TC-DEL/TC-TEL	26 / 26, 32	17.5	500
35987	108559	G24q-4/GX24q-4	TC-TEL	42	17.5	500

G24, GX24 vertical 2-hole mount lampholders
 Nominal rating: 75 W/600 V
 Casing: PBT, white
 External thread 40x2.5 IEC 60399
 With rotary lock function for lamp
 Front slip holes for screws M3



Type	Ref. No.	Base	Lamp	Output (W)	Weight (g)	Unit (pcs.)
45940	507993	G24q-2/GX24q-2	TC-DEL/TC-TEL	18 / 18	20.2	500
45960	507994	G24q-3/GX24q-3	TC-DEL/TC-TEL	26 / 26, 32	20.2	500
45980	507995	G24q-4/GX24q-4	TC-TEL	42	20.2	500
45930	507992	G24q-3/GX24q-3/-4*	TC-TEL	26 / 26, 32, 42	20.2	500

* Lampholder 507992 may only be used in luminaires that are operated with electronic ballasts that have been certified according to the applicable standards and that cover the luminaire performance range of 26, 32 and 42 W.

G24q-5, GX24q-5 vertical 2-hole mount lampholders for triple tube lamps 57 W
 Casing: PPS, black, T150
 Plain casing
 With rotary lock function for lamp
 Front slip holes for screws M3
 Weight: 28 g, unit: 500 pcs.
 Type: 45990
Ref. No.: 508159

