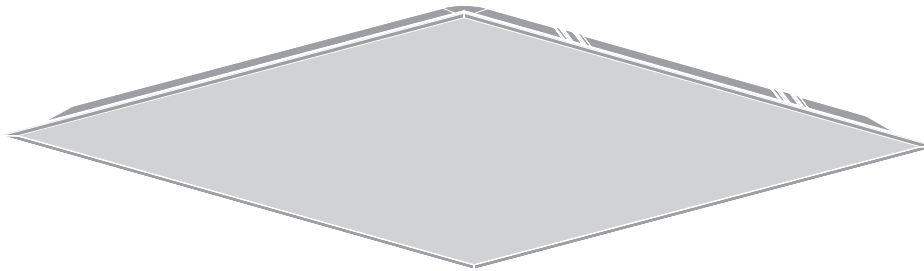
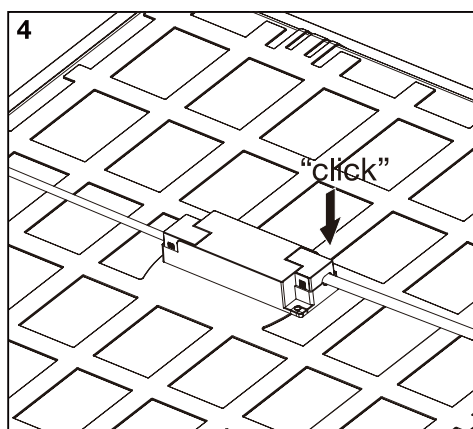
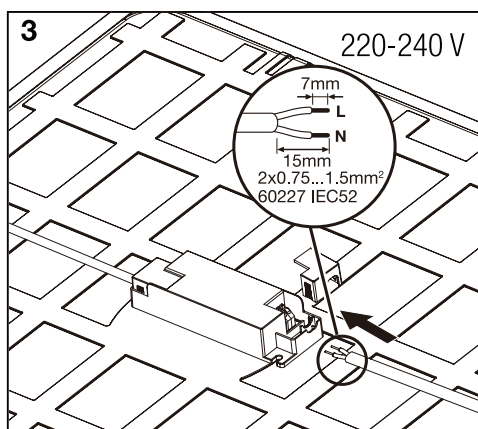
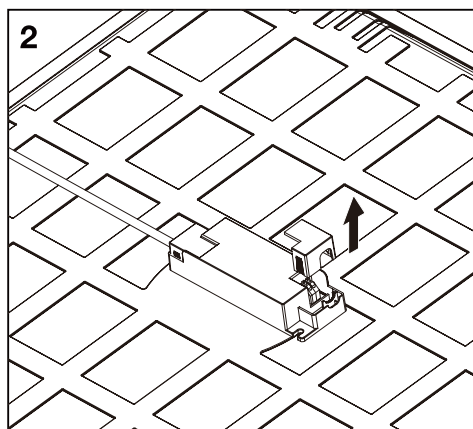
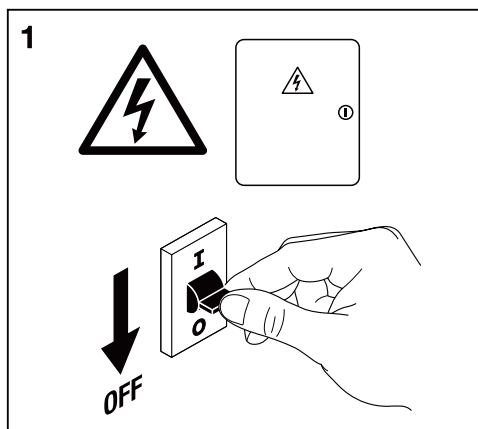
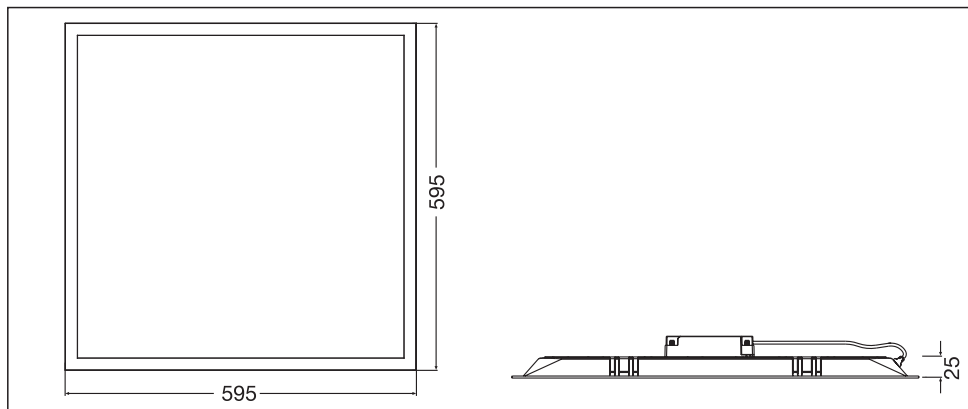
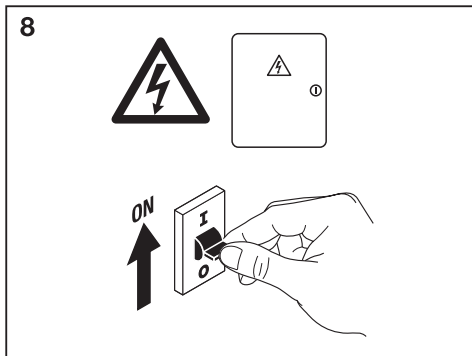
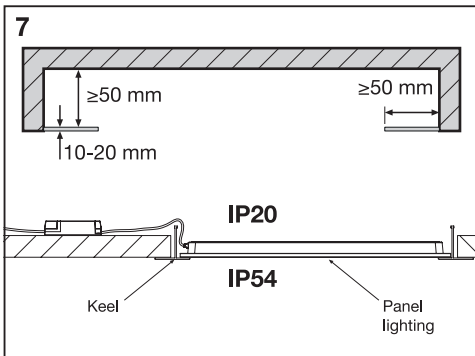
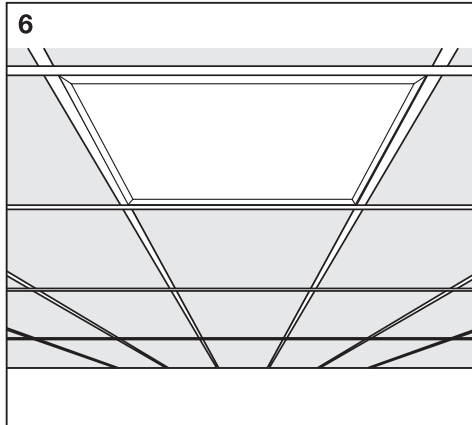
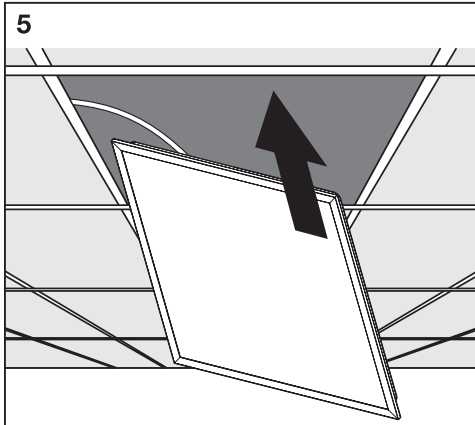

PANEL IF ECO 600



MODEL	EAN10	W	K	LxWxH [mm]	V~	Hz	IP	°C	👤
PANEL IF ECO 600 36W 840 IP54	4099854129513	36	4000	595x595x25	220-240	50/60	54/20	0 .. +40	1,24 kg
PANEL IF ECO 600 36W 865 IP54	4099854129476	36	6500	595x595x25	220-240	50/60	54/20	0 .. +40	1,24 kg
PANEL IF ECO 600 44W 840 IP54	4099854129490	44	4000	595x595x25	220-240	50/60	54/20	0 .. +40	1,24 kg
PANEL IF ECO 600 44W 865 IP54	4099854129537	44	6500	595x595x25	220-240	50/60	54/20	0 .. +40	1,24 kg





Ⓢ Bedienungsanleitung für spätere Verwendung aufbewahren. Ⓢ Retain the operating instructions for later use. Ⓢ Conserver la notice d'utilisation pour toute consultation ultérieure. Ⓢ Conservare le istruzioni per l'uso per successiva consultazione. Ⓢ Conservar las instrucciones de uso para posteriores consultas. Ⓢ Conservar o manual de instruções para utilização futura. Ⓢ Οι οδηγίες χρήσης πρέπει να φυλάσσονται για μεταγενέστερη χρήση. Ⓢ Bedieningshandleiding voor later gebruik bewaren. Ⓢ Spara bruksanvisningen för senare användning. Ⓢ Säilytä käyttöohje myöhempää käyttöä varten. Ⓢ Oppbevar bruksanvisningen for senere bruk. Ⓢ Gem betjeningsvejledningen til senere brug. Ⓢ Uschovějite návod pro budoucí použití. Ⓢ Руководство по эксплуатации следует сохранить для последующего использования. Ⓢ Órizzé meg a kezelési útmutatót a későbbi használat céljából. Ⓢ Instrukcję obsługi zachować do późniejszego wykorzystania. Ⓢ Uschovajte návod pre budúce použitie. Ⓢ Navodilo za uporabo shranite za kasnejšo uporabo. Ⓢ Kullanım kılavuzunu daha sonra kullanmak üzere saklayın. Ⓢ Spremite upute za uporabu za naknadnu uporabu. Ⓢ Pástrajte instructionile de utilizare pentru a le consulta în viitor. Ⓢ Заназване на ръководството за обслужване за по-нататъшна употреба. Ⓢ Hoidke kasutusjuhend hilisemaks kasutuseks alles. Ⓢ Naudojimo instrukciją išsaugoti vėlesniam naudojimui. Ⓢ Saglabājiet lietošanas instrukcijas turpmākai izmantošanai. Ⓢ Sačuvajte uputstvo za upotrebu radi naknadne upotrebe. Ⓢ Зберігайте Інструкцію з експлуатації для подальшого використання. Ⓢ Іске пайдалану нұсқауларын кейін қарау үшін сақтап қойыңыз.

- The light source contained in this luminaire shall only be replaced by the manufacturer or his service agent or a similar qualified person.
- Connect to the power supply in accordance with national regulations. And make sure the power supply is off when connecting.
- This product is to be installed by licensed electrician in strict accordance with local wiring rules.
- Please note that the fixture is equipped with standard surge protection only. To protect the fixture from sags, surges, and lighting strikes, additional surge protectors must be deployed on the primary side.
- The luminaire cannot be covered with thermal insulation matting or similar materials.



IP20
IP54

RoHS
compliant

LED



C10449057
G11170524
31.05.23



LEDVANCE GmbH
Parkring, 29-33
85748 Garching, Germany
www.ledvance.com