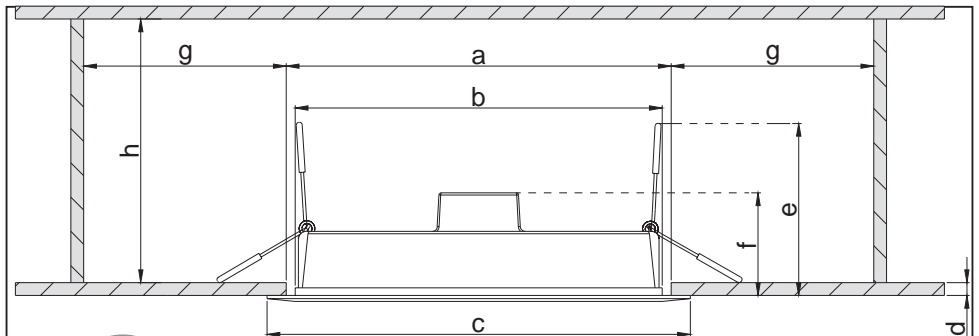

DOWNLIGHT IP44

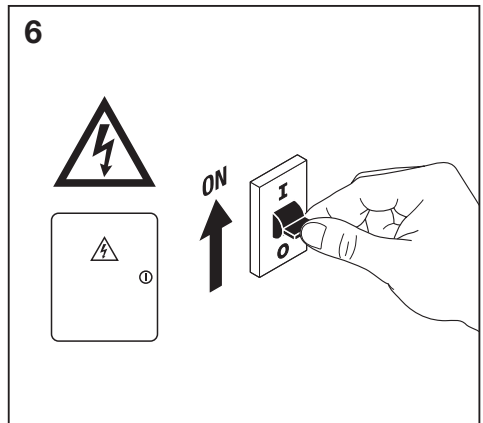
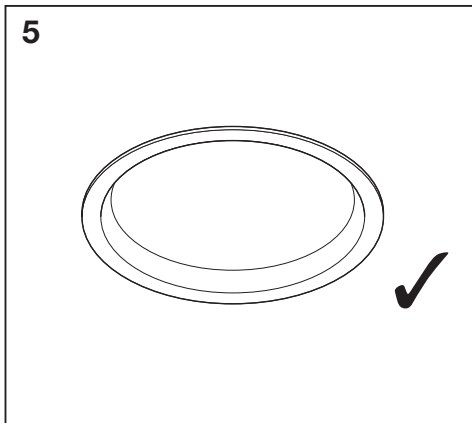
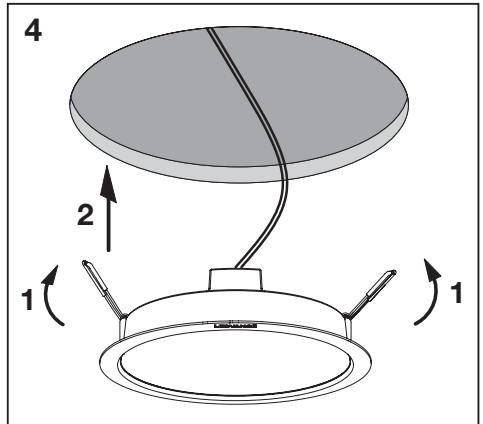
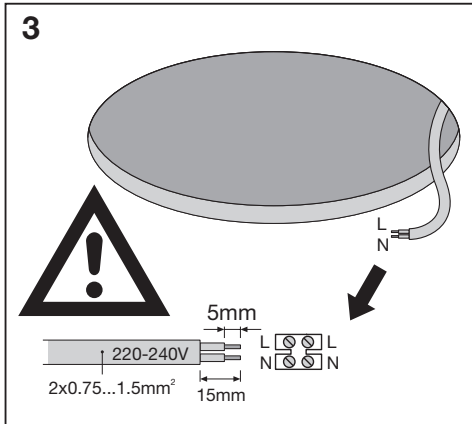
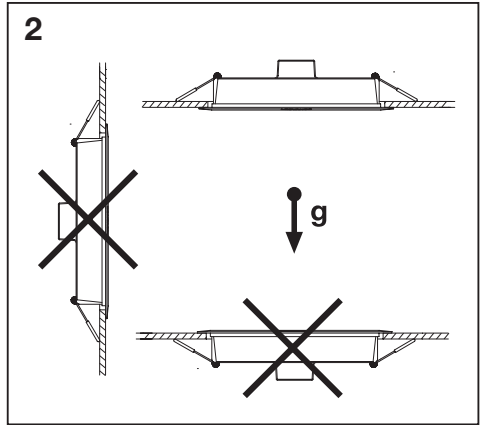
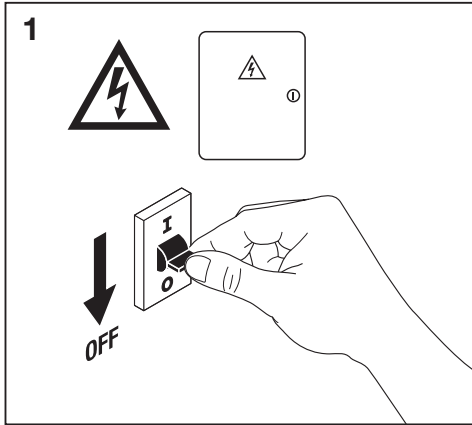


| | EAN | Ø x h [mm] | W | VAC | Hz | lm | lm/W | K |
|----------------------------------|---------------|------------|----|---------|-------|------|------|------|
| DL IP44 DN 90 4W 830 WT | 4058075702868 | 90 x 42 | 4 | 220-240 | 50/60 | 400 | 100 | 3000 |
| DL IP44 DN 90 4W 840 WT | 4058075702882 | 90 x 42 | 4 | 220-240 | 50/60 | 400 | 100 | 4000 |
| DL IP44 DN 90 4W 865 WT | 4058075702929 | 90 x 42 | 4 | 220-240 | 50/60 | 400 | 100 | 6500 |
| DL IP44 DN 115 8W 830 WT | 4058075702943 | 115 x 42 | 8 | 220-240 | 50/60 | 800 | 100 | 3000 |
| DL IP44 DN 115 8W 840 WT | 4058075702967 | 115 x 42 | 8 | 220-240 | 50/60 | 800 | 100 | 4000 |
| DL IP44 DN 115 8W 865 WT | 4058075703025 | 115 x 42 | 8 | 220-240 | 50/60 | 800 | 100 | 6500 |
| DL IP44 DN 165 13W 830 WT | 4058075703049 | 165 x 42 | 13 | 220-240 | 50/60 | 1300 | 100 | 3000 |
| DL IP44 DN 165 13W 840 WT | 4058075703087 | 165 x 42 | 13 | 220-240 | 50/60 | 1300 | 100 | 4000 |
| DL IP44 DN 165 13W 865 WT | 4058075703100 | 165 x 42 | 13 | 220-240 | 50/60 | 1300 | 100 | 6500 |
| DL IP44 DN 190 18W 830 WT | 4058075703124 | 190 x 42 | 18 | 220-240 | 50/60 | 1800 | 100 | 3000 |
| DL IP44 DN 190 18W 840 WT | 4058075703148 | 190 x 42 | 18 | 220-240 | 50/60 | 1800 | 100 | 4000 |
| DL IP44 DN 190 18W 865 WT | 4058075703179 | 190 x 42 | 18 | 220-240 | 50/60 | 1800 | 100 | 6500 |
| DL IP44 DN 215 24W 830 WT | 4058075703193 | 215 x 43 | 24 | 220-240 | 50/60 | 2400 | 100 | 3000 |
| DL IP44 DN 215 24W 840 WT | 4058075703223 | 215 x 43 | 24 | 220-240 | 50/60 | 2400 | 100 | 4000 |
| DL IP44 DN 215 24W 865 WT | 4058075703247 | 215 x 43 | 24 | 220-240 | 50/60 | 2400 | 100 | 6500 |
| DL IP44 DN 215 30W 830 WT | 4058075703285 | 215 x 43 | 30 | 220-240 | 50/60 | 3000 | 100 | 3000 |
| DL IP44 DN 215 30W 840 WT | 4058075703308 | 215 x 43 | 30 | 220-240 | 50/60 | 3000 | 100 | 4000 |
| DL IP44 DN 215 30W 865 WT | 4058075703322 | 215 x 43 | 30 | 220-240 | 50/60 | 3000 | 100 | 6500 |

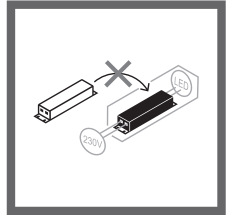
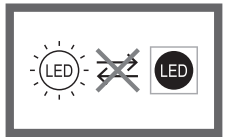
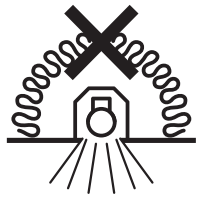
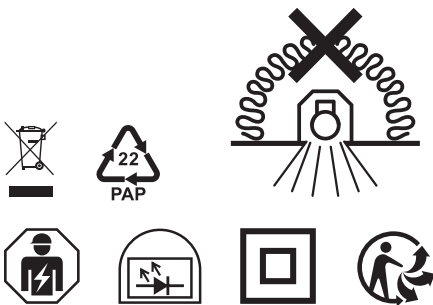
| | EAN | IP | IK | ◊ | R _a | ⊡ (°C) | PF | 👤 |
|---------------------------|---------------|----|----|------|----------------|-----------|------|------|
| DL IP44 DN 90 4W 830 WT | 4058075702868 | 44 | 03 | 100° | >80 | -20...+40 | >0.5 | 50g |
| DL IP44 DN 90 4W 840 WT | 4058075702882 | 44 | 03 | 100° | >80 | -20...+40 | >0.5 | 50g |
| DL IP44 DN 90 4W 865 WT | 4058075702929 | 44 | 03 | 100° | >80 | -20...+40 | >0.5 | 50g |
| DL IP44 DN 115 8W 830 WT | 4058075702943 | 44 | 03 | 100° | >80 | -20...+40 | >0.5 | 70g |
| DL IP44 DN 115 8W 840 WT | 4058075702967 | 44 | 03 | 100° | >80 | -20...+40 | >0.5 | 70g |
| DL IP44 DN 115 8W 865 WT | 4058075703025 | 44 | 03 | 100° | >80 | -20...+40 | >0.5 | 70g |
| DL IP44 DN 165 13W 830 WT | 4058075703049 | 44 | 03 | 100° | >80 | -20...+40 | >0.5 | 140g |
| DL IP44 DN 165 13W 840 WT | 4058075703087 | 44 | 03 | 100° | >80 | -20...+40 | >0.5 | 140g |
| DL IP44 DN 165 13W 865 WT | 4058075703100 | 44 | 03 | 100° | >80 | -20...+40 | >0.5 | 140g |
| DL IP44 DN 190 18W 830 WT | 4058075703124 | 44 | 03 | 100° | >80 | -20...+40 | >0.5 | 197g |
| DL IP44 DN 190 18W 840 WT | 4058075703148 | 44 | 03 | 100° | >80 | -20...+40 | >0.5 | 197g |
| DL IP44 DN 190 18W 865 WT | 4058075703179 | 44 | 03 | 100° | >80 | -20...+40 | >0.5 | 197g |
| DL IP44 DN 215 24W 830 WT | 4058075703193 | 44 | 03 | 100° | >80 | -20...+40 | >0.5 | 252g |
| DL IP44 DN 215 24W 840 WT | 4058075703223 | 44 | 03 | 100° | >80 | -20...+40 | >0.5 | 252g |
| DL IP44 DN 215 24W 865 WT | 4058075703247 | 44 | 03 | 100° | >80 | -20...+40 | >0.5 | 252g |
| DL IP44 DN 215 30W 830 WT | 4058075703285 | 44 | 03 | 100° | >80 | -20...+35 | >0.9 | 290g |
| DL IP44 DN 215 30W 840 WT | 4058075703308 | 44 | 03 | 100° | >80 | -20...+35 | >0.9 | 290g |
| DL IP44 DN 215 30W 865 WT | 4058075703322 | 44 | 03 | 100° | >80 | -20...+35 | >0.9 | 290g |



| Model | a [mm] | b [mm] | c [mm] | d [mm] | e [mm] | f [mm] | g [mm] | h [mm] |
|---------------|--------|--------|--------|--------|--------|--------|--------|--------|
| DL IP44 DN90 | Ø 75 | Ø 68 | Ø 90 | 3-25 | 68 | 40 | >60 | >70 |
| DL IP44 DN115 | Ø 100 | Ø 93 | Ø 115 | 3-25 | 68 | 40 | >60 | >70 |
| DL IP44 DN165 | Ø 150 | Ø 143 | Ø 165 | 3-25 | 68 | 40 | >60 | >70 |
| DL IP44 DN190 | Ø 175 | Ø 168 | Ø 190 | 3-25 | 68 | 40 | >60 | >70 |
| DL IP44 DN215 | Ø 200 | Ø 194 | Ø 215 | 3-25 | 68 | 40 | >60 | >70 |



| | B16 | B25 | B32 | C16 | C25 | C32 |
|---------------------------|-----|-----|-----|-----|-----|-----|
| DL IP44 DN 90 4W 8XX WT | 373 | 583 | 746 | 320 | 500 | 640 |
| DL IP44 DN 115 8W 8XX WT | 186 | 291 | 373 | 160 | 250 | 320 |
| DL IP44 DN 165 13W 8XX WT | 112 | 175 | 224 | 96 | 150 | 192 |
| DL IP44 DN 190 18W 8XX WT | 80 | 125 | 160 | 68 | 107 | 137 |
| DL IP44 DN 215 24W 8XX WT | 62 | 97 | 124 | 53 | 83 | 106 |
| DL IP44 DN 215 30W 8XX WT | 86 | 134 | 172 | 73 | 115 | 147 |



C10449057
G11127701
08.10.21



LEDVANCE GmbH
Steinerne Furt 62
86167 Augsburg, Germany
www.ledvance.com